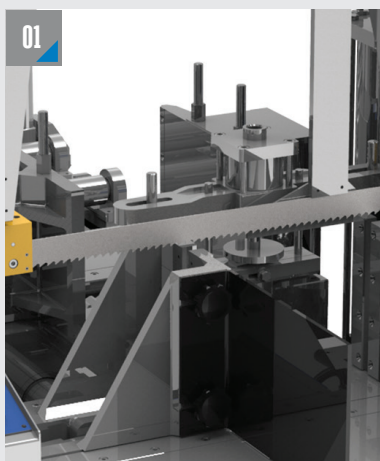


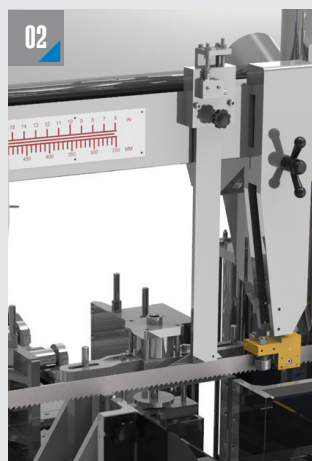
HSC 460



TAM OTOMATİK HIZLI KESİM SÜTUNLU TESTERE TEZGAHI FULL AUTOMATIC HIGH SPEED CUTTING DOUBLE COLUMN BANDSAW MACHINE



PAKET KESİM
BUNDLE CUTTING



OTOMATİK YÜKSEKLİK AYARI
AUTOMATIC HEIGHT CONTROL



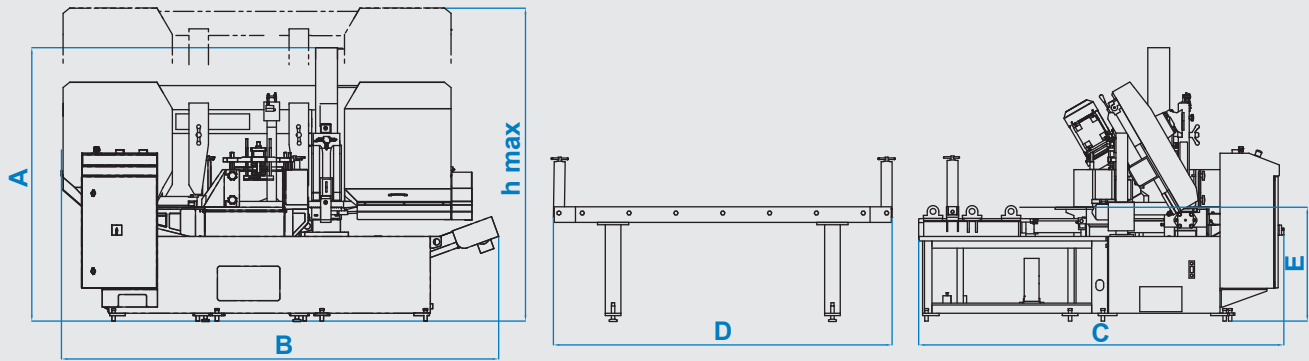
ŞERİT KOPMA SENSÖRÜ
BLADE BREAKAGE SENSOR



KROM KAPLI SÜTUN
CHROME COATED DOUBLE COLUMN

ÖLÇÜLER DIMENSIONS

YÜKSEK HIZLI KESİM MODELLER HIGH SPEED CUTTING TYPES



TEKNİK ÖZELLİKLER / TECHNICAL FEATURES

A	1740 mm 68.50 inch	B	2810 mm 110.63 inch	C	2345 mm 92.32 inch	D	2170 mm 85.43 inch	E	710 mm 27.95 inch	hmax	1970 mm 77.56 inch
---	-----------------------	---	------------------------	---	-----------------------	---	-----------------------	---	----------------------	------	-----------------------

Otomatik Automatic	Şerit Ölçüsü Blade Dimension 41 x 1.3 x 5450 mm 1.61 x 0.051 x 214.57 inch	Şerit Motoru Blade Motor 4 kW - 1400 d/d 5.36 hp - 1400 rpm	Talaş Fırçası Motoru Chip Brush Motor 0.09 kW - 1400 d/dk 0.12 hp - 1400 rpm
Hidrolik Motor Hydraulic Pump Motor 1.1 kW - 1500 d/dk 1.47 hp - 1500 rpm	Soğutucu Motor Cooling Liquid Motor 0.37 kW - 2850 d/dk 0.33 hp - 2850 rpm	Talaş Konveyör Motoru Chip Conveyor Motor 0.18 kW - 1400 d/dk 0.24 hp - 1400 rpm	Maksimum Güç Maximum Power 5.74 kW 7.69 hp
Kesme Hızı Cutting Speed 18 m/dk - 59 m/dk 90 m/dk - 295 ft/min	Ağırlık Weight 2500 kg 5511 lbs	Voltaj Voltage 400 V 400 V	Malzeme Sıkma Sistemi Material Clamping System Hidrolik Hydraulic
Şerit Germe Sistemi Blade Tensioning System Hidrolik Hydraulic			

Kesim Kapasitesi Cutting Capacity 460 mm 18.11 inch	Kesim Kapasitesi Cutting Capacity 500 mm 19.69 inch	Kesim Kapasitesi Cutting Capacity 460 mm 18.11 inch 460 x 460 mm 11.81 x 18.11 inch 460 x 500 mm 11.81 x 19.69 inch	Kesim Kapasitesi Cutting Capacity 230 x 230 mm 9.06 x 9.06 inch 230 x 310 mm 9.06 x 12.20 inch
Paket Kesim Kapasitesi Total Cutting Capacity 120 - 230 mm 5 - 9 inch	Paket Kesim Kapasitesi Total Cutting Capacity 195 - 310 mm 8 - 12 inch		