

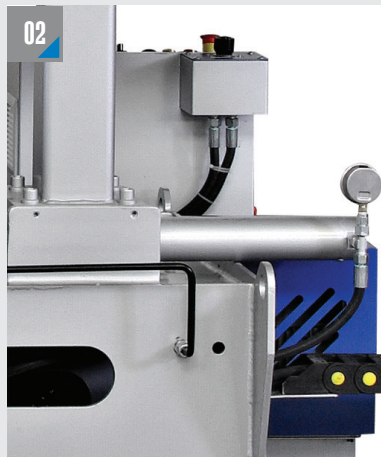
CSM 550



YARI OTOMATİK HİDROLİK SÜTUNLU TESTERE TEZGAHI SEMI AUTOMATIC DOUBLE COLUMN HYDRAULIC BANDSAW MACHINE



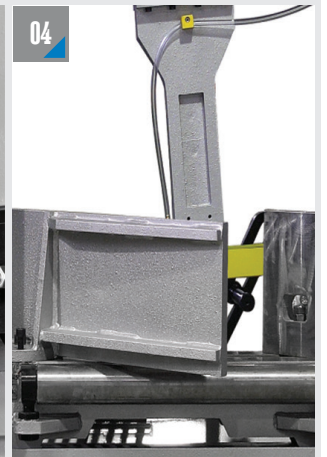
HAREKET SİSTEMİ
LINEAR GUIDING



MALZEME SIKMA SİSTEMİ
MATERIAL CLAMPING SYSTEM



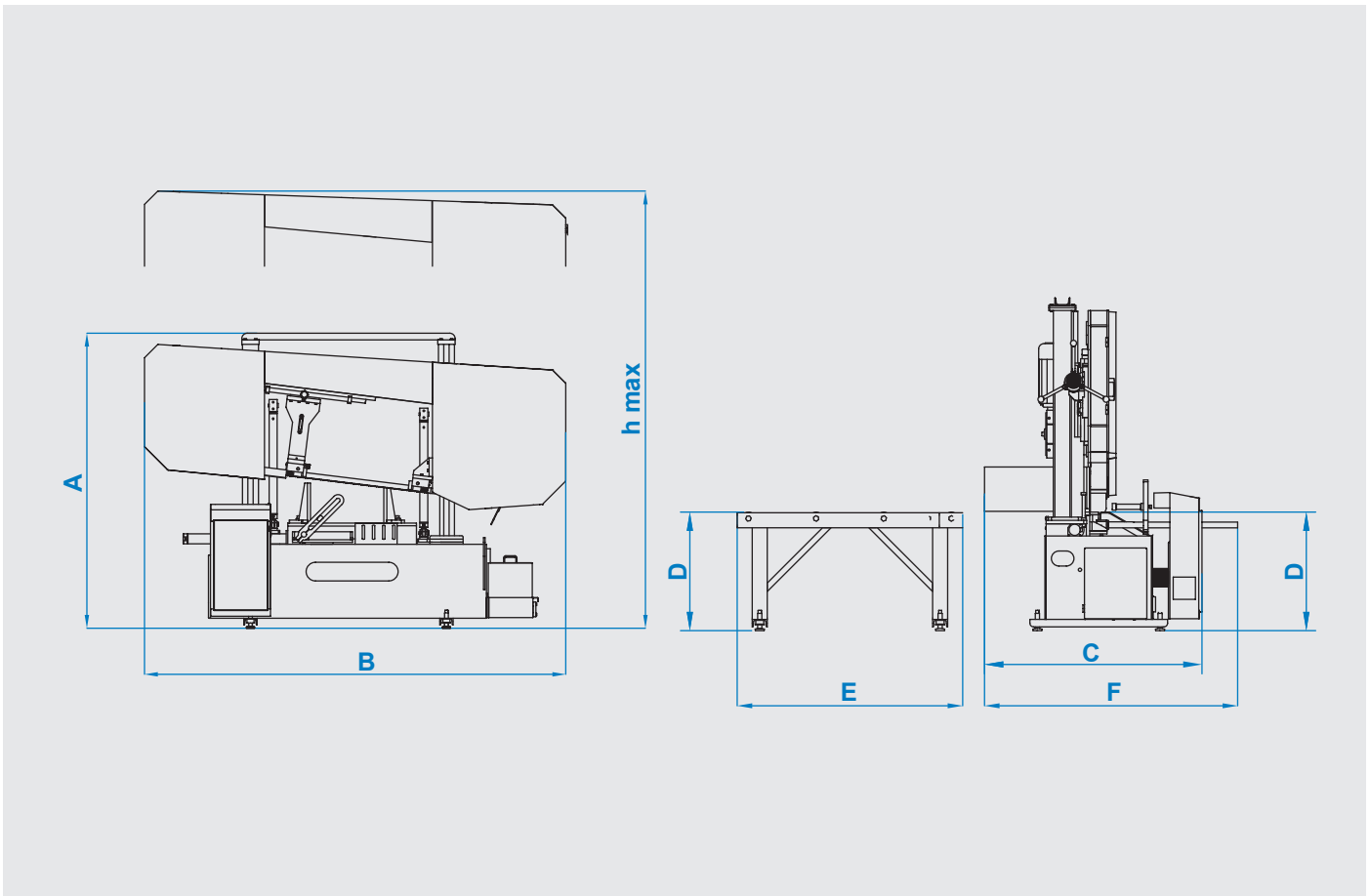
ŞERİT GERDİRME SİSTEMİ
BLADE TENSIONING



AÇILI KESİM
MITER CUTTING

ÖLÇÜLER DIMENSIONS

SÜTUNLU MODELLER DOUBLE COLUMN TYPES



TEKNİK ÖZELLİKLER / TECHNICAL FEATURES

A	2215 mm 87.20 inch	B	3200 mm 125.98 inch	C	1460 mm 57.48 inch	D	765 mm 30.12 inch	E	1980 mm 77.95 inch	F	1690 mm 66.54 inch	hmax	2410 mm 94.88 inch
---	-----------------------	---	------------------------	---	-----------------------	---	----------------------	---	-----------------------	---	-----------------------	------	-----------------------

Yarı Otomatik Semi Automatic	Şerit Ölçüsü Blade Dimension 41 x 1.3 x 6850 mm 1 1/2 x 0.050 x 269.6 inch	Şerit Motoru Blade Motor 4 kW - 1000 d/d 5.36 hp - 1000 rpm	Sürücü Motor Feeding Motor Manuel Manual
Hidrolik Motor Hydraulic Pump Motor 1.1 kW - 1500 d/dk 1.46 hp - 1500 rpm	Soğutucu Motor Cooling Liquid Motor 0.12 kW - 3000 d/dk 0.16 hp - 3000 rpm	Voltaj Voltage 400 V 400 V	Maksimum Güç Maximum Power 5.22 kW 7 hp
Kesme Hızı Cutting Speed 15 m/dk - 49 m/dk 100 m/dk - 328 ft/min	Ağırlık Weight 2100 kg 4620 lbs	Malzeme Sıkma Sistemi Material Clamping System Hidrolik Hydraulic	Şerit Germe Sistemi Blade Tensioning System Hidrolik Hydraulic

Kesim Kapasitesi Cutting Capacity	Kesim Kapasitesi Cutting Capacity	mm inch	60°	45°	30°	0°	90°	45°	60°
550 mm 21.65 inch	600 mm 23.62 inch		370 mm 14.57 inch	460 mm 18.11 inch	550 mm 21.65 inch				
			370 x 370 mm 14.57 x 14.57 inch	460 x 460 mm 18.11 x 18.11 inch	550 x 550 mm 21.65 x 21.65 inch				
			550 x 370 mm 31.65 x 14.57 inch	550 x 460 mm 21.65 x 18.11 inch	550 x 600 mm 21.65 x 23.62 inch				